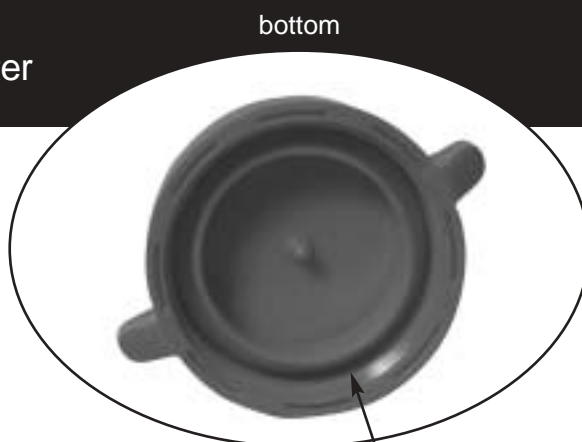


# Threaded Test Cap

## Easy as 1, 2, 3

- Saves time and money
- No messy glue used during finish out
- Uses only 1 glued fitting during installation
- Holds 30 pounds of pressure
- 850WT Test Cap packaged with Marvel Adapter



1. *During rough-in, simply glue Marvel adapter onto pipe.*



2. *Once adapter is glued into place, screw threaded test cap on and perform pressure test.*



3. *Upon completion of pressure test, unscrew test cap and attach p-trap wall arm with a standard wing nut and poly washer.*

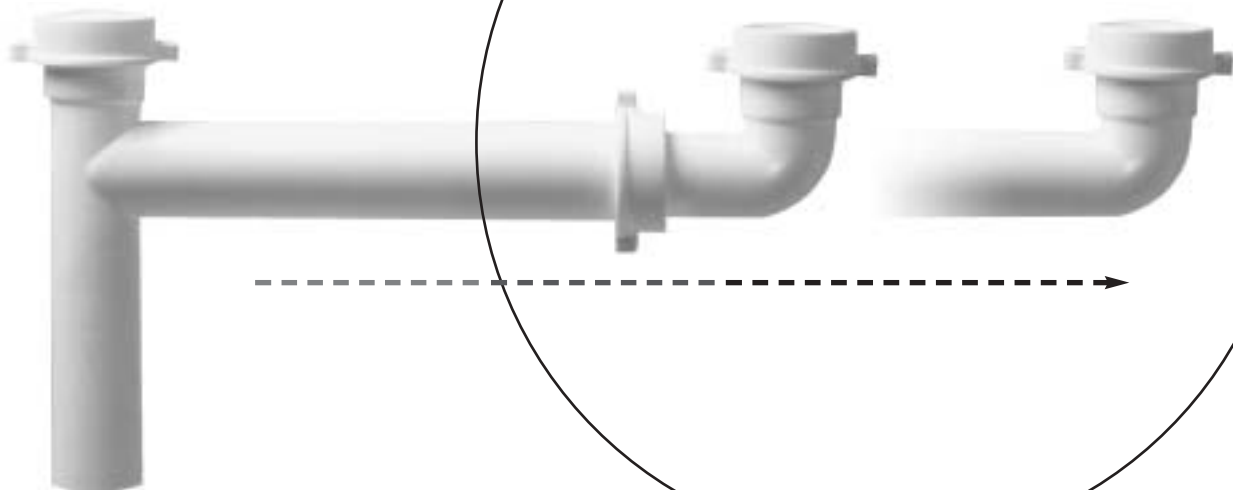
For ordering information see page 20



# sink wastes

plastic tubular

Our Sink Wastes feature a fully adjustable telescopic arm for maximum flexibility.



- Baffle Tee
- Deep Nuts insure secure connection

## ***e.o. continuous wastes – direct connect***

TW500PVC



- Adjustable up to 16" cc
- 1-1/2" x 1-1/2" Poly Washers
- Features Baffle tee
- For 21" Arm, add "21" to part number (TW50021PVCBG) and \$.67 to List Price

PART NO.	DESCRIPTION	PKG.	LIST PRICE
TW500PVCBG	1-1/2" x 16" White Direct Connect Adjustable – Bagged	25	5.31
TW500PVCBX	1-1/2" x 16" White Direct Connect Adjustable – Boxed	25	5.76
TW500ABSBG	1-1/2" x 16" Black Direct Connect Adjustable – Bagged	25	5.31
TW500ABSXB	1-1/2" x 16" Black Direct Connect Adjustable – Boxed	25	5.76

# sink wastes

## *e.o. continuous wastes – direct connect*

- For 21" Arm, add "21" to part number (T530Y21PVCBG) and \$.67 to List Price
- 1-1/2" x 1-1/2" Poly Washers
- With Baffle Tee



T530YPVC

PART NO.	DESCRIPTION	PKG.	LIST PRICE
T530YPVCBG	1-1/2" x 16" White Direct Connect – Bagged	25	4.18
T530YPVCBX	1-1/2" x 16" White Direct Connect – Boxed	25	4.47
T530YABSBG	1-1/2" x 16" Black Direct Connect – Bagged	25	4.18
T530YABSBX	1-1/2" x 16" Black Direct Connect – Boxed	25	4.47

## *direct connect dishwasher spout*

- Adjustable up to 16" cc
- 1-1/2" x 1-1/2" Poly Washers
- With Baffle Tee



T50034PVC

PART NO.	DESCRIPTION	PKG.	LIST PRICE
T50034PVCBG	White Direct Connect Adjustable w/ 3/4" Dishwasher Spout - Bagged	15	7.13
T50034PVCBX	White Direct Connect Adjustable w/ 3/4" Dishwasher Spout - Boxed	15	7.49
T50034ABSBG	Black Direct Connect Adjustable w/ 3/4" Dishwasher Spout - Bagged	15	7.13
T50034ABSBX	Black Direct Connect Adjustable w/ 3/4" Dishwasher Spout - Boxed	15	7.49
T50012PVCBG	White Direct Connect Adjustable w/ 1/2" Dishwasher Spout - Bagged	15	7.13
T50012PVCBX	White Direct Connect Adjustable w/ 1/2" Dishwasher Spout - Boxed	15	7.49
T50012ABSBG	Black Direct Connect Adjustable w/ 1/2" Dishwasher Spout - Bagged	15	7.13
T50012ABSBX	Black Direct Connect Adjustable w/ 1/2" Dishwasher Spout - Boxed	15	7.49



# sink wastes

## *e.o. continuous wastes – slip joint*

plastic tubular

TW510PVC



- 1-1/2" x 1-1/2" Poly Washers
- With Baffle Tee
- Adjustable up to 16" cc

PART NO.	DESCRIPTION	PKG.	LIST PRICE
TW510PVCBG	1-1/2" x 16" White Slip Joint Adjustable – Bagged	25	5.31
TW510PVCBX	1-1/2" x 16" White Slip Joint Adjustable – Boxed	25	5.76
TW510ABSBG	1-1/2" x 16" Black Slip Joint Adjustable – Bagged	25	5.31
TW510ABSXB	1-1/2" x 16" Black Slip Joint Adjustable – Boxed	25	5.76

## *e.o. continuous wastes – slip joint*

T540YPVC



- For 21" Arm, add "21" to part number (T540Y21PVCBG) and \$.67 to List Price
- 1-1/2" x 1-1/2" Poly Washers
- With Baffle Tee

PART NO.	DESCRIPTION	PKG.	LIST PRICE
T540YPVCBG	1-1/2" x 16" White Slip Joint – Bagged	25	4.18
T540YPVCBX	1-1/2" x 16" White Slip Joint – Boxed	25	4.47
T540YABSBG	1-1/2" x 16" Black Slip Joint – Bagged	25	4.18
T540YABSXB	1-1/2" x 16" Black Slip Joint – Boxed	25	4.47

# sink wastes

## *e.o. continuous wastes – slip joint*

- 1-1/2" x 1-1/2" Poly Washers
- With Baffle Tee
- Adjustable up to 16" cc



T510DS34PVC

PART NO.	DESCRIPTION	PKG.	LIST PRICE
T51034PVCBG	White Slip Joint Adjustable w/3/4" Dishwasher Spout – Bagged	15	7.80
T51034PVCBX	White Slip Joint Adjustable w/3/4" Dishwasher Spout – Boxed	15	8.18
T51034ABSBG	Black Slip Joint Adjustable w/3/4" Dishwasher Spout – Bagged	15	7.80
T51034ABSBX	Black Slip Joint Adjustable w/3/4" Dishwasher Spout – Boxed	15	8.18
T51012PVCBG	White Slip Joint Adjustable w/1/2" Dishwasher Spout – Bagged	15	7.13
T51012PVCBX	White Slip Joint Adjustable w/1/2" Dishwasher Spout – Boxed	15	7.49
T51012ABSBG	Black Slip Joint Adjustable w/1/2" Dishwasher Spout – Bagged	15	7.13
T51012ABSBX	Black Slip Joint Adjustable w/1/2" Dishwasher Spout – Boxed	15	7.49

## *e.o. continuous wastes – universal*

- 1-1/2" x 1-1/2" Poly Washers
- With Baffle Tee
- Adjustable up to 16" cc



TW510UPVC

PART NO.	DESCRIPTION	PKG.	LIST PRICE
TW510UPVCBG	1-1/2" x 16" White Universal Adjustable – Bagged	25	5.62
TW510UPVCBX	1-1/2" x 16" White Universal Adjustable – Boxed	25	6.00
TW510UABSBG	1-1/2" x 16" Black Universal Adjustable – Bagged	25	5.62
TW510UABSBX	1-1/2" x 16" Black Universal Adjustable – Boxed	25	6.00



# sink wastes

## *e.o. continuous wastes – universal*



T540YUPVC

- For 21" Arm, add "21" to part number (T540YU21PVCBG) and \$.67 to List Price
- 1-1/2" x 1-1/2" Poly Washers
- With Baffle Tee

PART NO.	DESCRIPTION	PKG.	LIST PRICE
T540YUPVCBG	1-1/2" x 16" White Universal – Bagged	25	4.31
T540YUPVCBX	1-1/2" x 16" White Universal – Boxed	25	4.76
T540YUABSBG	1-1/2" x 16" Black Universal – Bagged	25	4.31
T540YUABSBX	1-1/2" x 16" Black Universal – Boxed	25	4.76

## *universal dishwasher spout*



T510U34PVC

- 1-1/2" x 1-1/2" Poly Washers
- Adjustable up to 16" cc
- With Baffle Tee

PART NO.	DESCRIPTION	PKG.	LIST PRICE
T510U34PVCBG	White Universal Adjustable w/ 3/4" Dishwasher Spout – Bagged	15	7.80
T510U34PVCBX	White Universal Adjustable w/ 3/4" Dishwasher Spout – Boxed	15	8.18
T510U34ABSBG	Black Universal Adjustable w/ 3/4" Dishwasher Spout – Bagged	15	7.80
T510U34ABSBX	Black Universal Adjustable w/ 3/4" Dishwasher Spout – Boxed	15	8.18
T510U12PVCBG	White Universal Adjustable w/ 1/2" Dishwasher Spout – Bagged	15	7.80
T510U12PVCBX	White Universal Adjustable w/ 1/2" Dishwasher Spout – Boxed	15	8.18
T510U12ABSBG	Black Universal Adjustable w/ 1/2" Dishwasher Spout – Bagged	15	7.80
T510U12ABSBX	Black Universal Adjustable w/ 1/2" Dishwasher Spout – Boxed	15	8.18

# sink wastes

## center outlet direct connect

- For 21" Arms, add "21" to part number (TW51521PVCBG) & \$1.33 to List Price
- 1-1/2" x 1-1/2" Poly Washers
- With Baffle Tee



TW515PVC

PART NO.	DESCRIPTION	PKG.	LIST PRICE
TW515PVCBG	1-1/2" x 16" White C.O. Direct Connect – Bagged	25	6.64
TW515PVCBX	1-1/2" x 16" White C.O. Direct Connect – Boxed	25	7.00
TW515ABSBG	1-1/2" x 16" Black C.O. Direct Connect – Bagged	25	6.64
TW515ABSBX	1-1/2" x 16" Black C.O. Direct Connect – Boxed	25	7.00

## center outlet slip joint

- For 21" Arms, add "21" to part number (TW51621PVCBG) & \$1.33 to List Price
- 1-1/2" x 1-1/2" Poly Washers
- With Baffle Tee



TW516PVC

PART NO.	DESCRIPTION	PKG.	LIST PRICE
TW516PVCBG	1-1/2" x 16" White C.O. Slip Joint – Bagged	25	5.89
TW516PVCBX	1-1/2" x 16" White C.O. Slip Joint – Boxed	25	6.24
TW516ABSBG	1-1/2" x 16" Black C.O. Slip Joint – Bagged	25	5.89
TW516ABSBX	1-1/2" x 16" Black C.O. Slip Joint – Boxed	25	6.24

## center outlet universal

- For 21" Arms, add "21" to part number (TW51621PVCBG) & \$1.33 to List Price
- 1-1/2" x 1-1/2" Poly Washers
- 1-1/2" x 1-7/8" Direct Connect Tailpiece on Universals
- With Baffle Tee



TW516UPVC

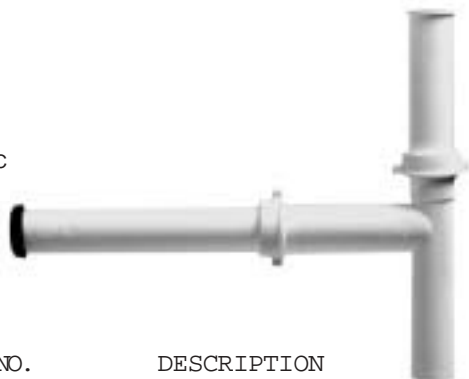
PART NO.	DESCRIPTION	PKG.	LIST PRICE
TW516UPVCBG	1-1/2" x 16" White C.O. Universal – Bagged	25	6.42
TW516UPVCBX	1-1/2" x 16" White C.O. Universal – Boxed	25	6.89
TW516UABSBG	1-1/2" x 16" Black C.O. Universal – Bagged	25	6.42
TW516UABSBX	1-1/2" x 16" Black C.O. Universal – Boxed	25	6.89



# sink wastes/tailpieces

## end outlet disposal wastes

600PVC



- Baffle Tee
- 6" and 10" Tailpiece
- 1-1/2" x 1-1/2" Poly Washers
- Disposal Connection Washer
- 600 Series Features Fully Telescopic Tee

PART NO.	DESCRIPTION	PKG.	LIST PRICE
600PVCBG	White Disposal Waste – Bagged	25	6.18
600PVCBX	White Disposal Waste – Boxed	25	6.62
600ABSBG	Black Disposal Waste – Bagged	25	6.18
600ABSXB	Black Disposal Waste – Boxed	25	6.62
603PVCBG	White Disposal Waste Non-Telescopic– Bagged	25	5.73
603PVCBX	White Disposal Waste Non-Telescopic– Boxed	25	6.18
603ABSBG	Black Disposal Waste Non-Telescopic– Bagged	25	5.73
603ABSXB	Black Disposal Waste Non-Telescopic– Boxed	25	6.18

## tailpieces – flanged

902PVC



904PVC



PART NO.	DESCRIPTION	PKG.	LIST PRICE
905PVC	1-1/2" x 1-7/8" White	25	.51
905ABS	1-1/2" x 1-7/8" Black	25	.51
900PVC	1-1/2" x 4" White	25	.93
900ABS	1-1/2" x 4" Black	25	.93
901PVC	1-1/2" x 6" White	25	1.02
901ABS	1-1/2" x 6" Black	25	1.02
902PVC	1-1/2" x 8" White	25	1.42
902ABS	1-1/2" x 8" Black	25	1.42
907PVC	1-1/2" x 10" White	25	1.50
907ABS	1-1/2" x 10" Black	25	1.50
903PVC	1-1/2" x 12" White	25	1.58
903ABS	1-1/2" x 12" Black	25	1.58
904PVC	1-1/2" x 16" White Double Flange	25	2.07
904ABS	1-1/2" x 16" Black Double Flange	25	2.07